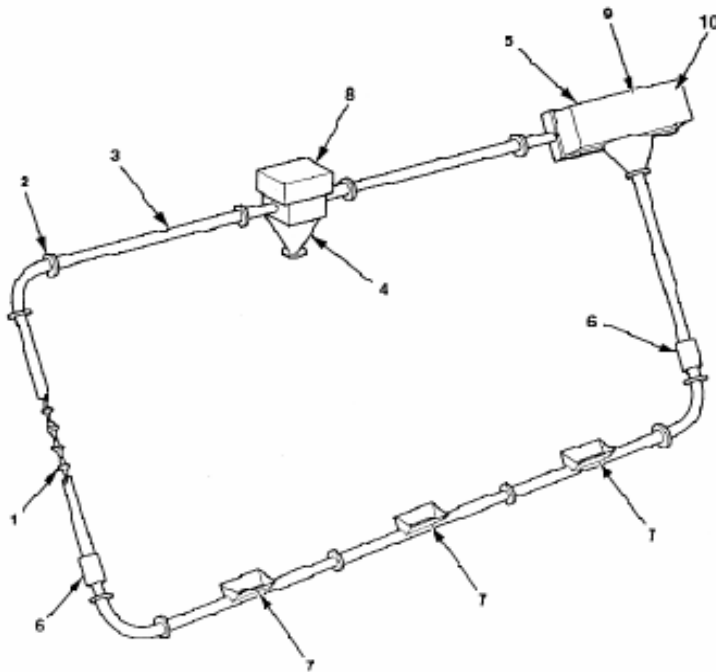


TUBULAR DRAG WASTE BEDDING CONVEYING SYSTEM



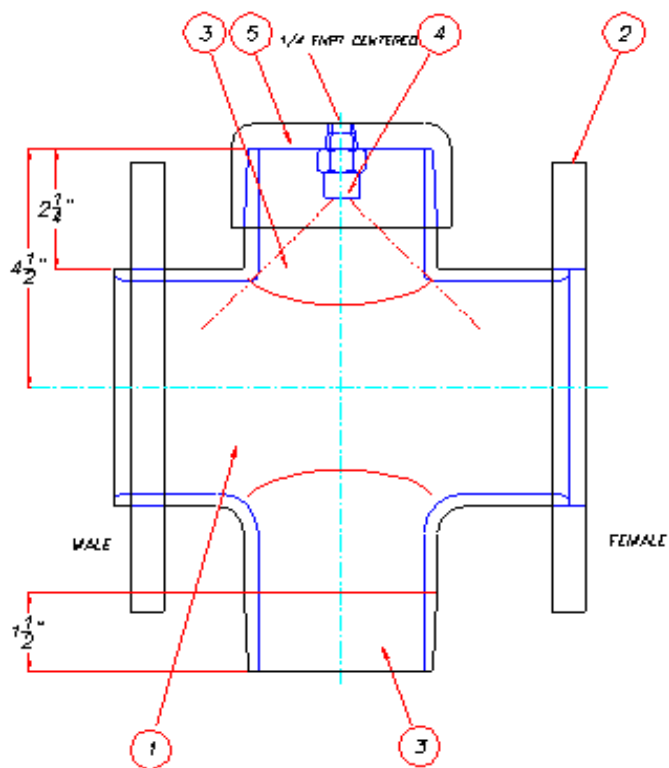
1. Flighted Chain
2. Casing Flange or Compression Coupling
3. Casing
4. Discharge Port
5. Drive Box
6. Access Port
7. Infeed Receiver
8. Vibrator
9. Reducer
10. Take-up Adjustment
11. Idler Box

Technical Details

- Drop forged, carbon steel rivetless, 4" pitch chain. Assembled complete with 3 $\frac{3}{4}$ " diameter two-piece replaceable polyethylene flights on 8" centers. Chain designed to start and stop under full load.
- Automatic chain tensioner, air over hydraulic with "end of travel" indicator. Includes cylinder, clevis, panel, air compressor (when required) and fittings to plumb and operate the system.
- 4" standard schedule #40 conveyor mild steel casing. Complete with gaskets and round mating male/female flanges, at ends.
- Drive box, all-welded, fabricated of formed carbon steel, complete with inlet and outlet tubes and flight guides.
- Drive plate assembly, consisting of a carbon steel drive plate with a high efficiency, right-angle cycloidal input, bevel gear reducer, driven by a 230/460/575v/3ph/60hz TEFC, wash-down, NEMA C-face electric motor.
- 180° idler box (as needed), including bearings and idler sprocket, fabricated of mild steel.
- Flanged inlet, fabricated of mild steel.
- Inspection openings for chain installation and inspection, stainless steel construction.
- Unbalanced load type vibrator with 1/3 hp, 230/460/575v/3ph/60hz TEBB, wash-down electric motor. Complete with mild steel hammer assembly, mounted at discharge.
- Scraper flights fabricated of mild steel, to scrape the pipe interior clean.
- Washdown components. Fittings for placement into convey line to clean chain after run.
- Electrical controls. Fixed speed, reversing, control panel to operate and protect the conveyor drive. Includes necessary transformers, motor starters, electronic shear pin, fused disconnect, and "on/off" push buttons. To be arranged in a NEMA 4 enclosure.

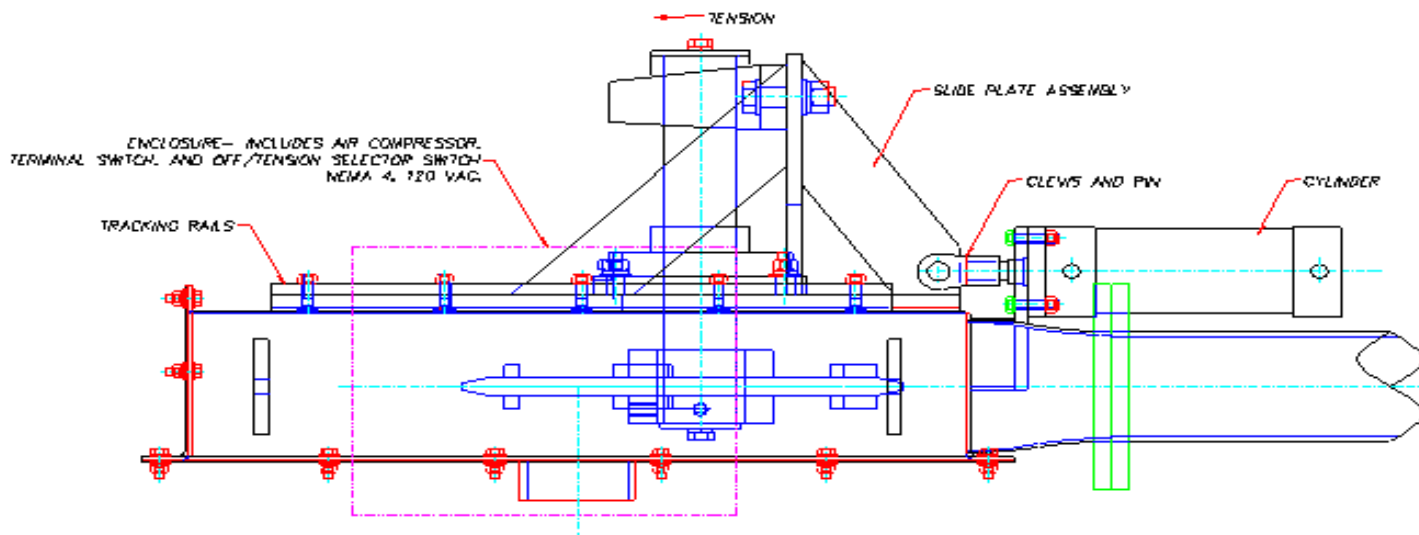
SPECIALTY EQUIPMENT DETAIL

Spray Wash System



1. Pipe Tee, Schedule #40, Stainless Steel
2. Round Flange, Stainless Steel
3. Pipe Nipple-Galloup, 3" x 5" lg, Schedule #40, Stainless Steel
4. Spray Nozzle-McMaster Carr, Stainless Steel
5. Pipe Cap-Galloup, 3" FNPT, Stainless Steel

Automatic Chain Tensioner



Contact



6407-36 Avenue, Edmonton, AB, Canada T6L 1E9
M (780) 430-4225 T (877) 441-4225
F (780) 430-4229